

US SERIES
PORTABLE PIPE BEVELING MACHINES

US SERIES PIPE BEVELING MACHINES



US 25

The US series portable pipe beveling tools are designed for high quality bevels, facing and machining on pipe and tube for weld preparations on all machinable alloy pipes including stainless steel, duplex, super duplex, inconel or any others.

With their wide range, they are perfect from the smallest boiler tube application up to a 24" pipe heavy wall. They can all be equipped with different motors with a wide selection of horse power, electrical, or hydraulical drive.

Their rugged design features self accepting torque system and self centering inner clamping, which allow one skilled operator to perform alone and extremely quickly, multiple machine-like bevels, avoiding the dangerous and slow grinding operation.

Each machine is equipped with standard tool plates accepting multiple tool bits, allowing up to four simultaneous machining operations. Such operations may include beveling, compound beveling or "J" prepping on heavy wall, facing, and counterboring.

All the machines have many specific features and options to fit better the multiple applications in their range of work, such as all shown below from left to right :

- pneumatic motors
- hydraulic motors
- electrical motors
- flange facing attachments ASB
- elbow beveling kits
- precision tool holders
- ID or OD tracker tool holders
- filter, regulator, lubricator FRL kits

SPECIFICATIONS

machine	minimum Ø	maximum Ø
US 25	25 mm / 1"	90 mm / 3.5" <i>optional shafts from 1/2" to 1" tool holders 2", 3", and 4"</i>
US 30	30 mm / 1.5"	114 mm / 4.5" <i>optional 5" tool holder</i>
US 40	40 mm / 2"	219 mm / 8"
US 80	80 mm / 3.5"	356 mm / 14" <i>optional second pneumatic motor</i>
US 150	150 mm / 6"	508 mm / 20" <i>optional 24" kit</i>

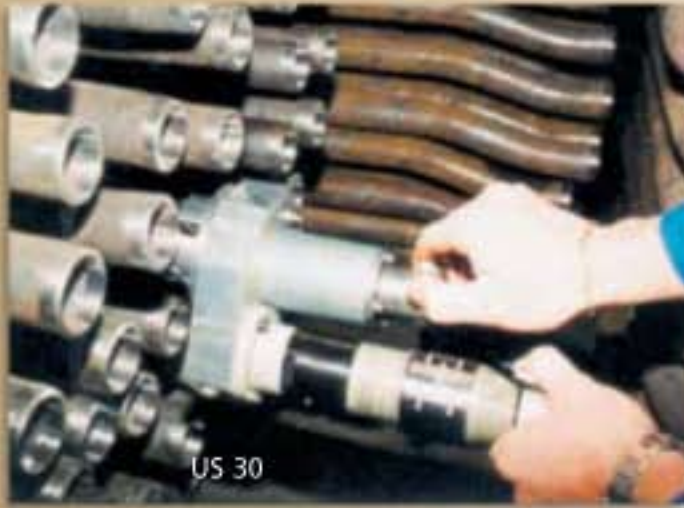
To mini inside clamping bevelers are also available in pneumatic motorisation :

SM 8	8 mm / 0.30"	30 mm / 1.2"
S 18	18 mm / 0.75"	43 mm / 1.7"

Please do not hesitate to contact us for any special applications you may need on this range of portable pipe beveling machines.



US 80



US 30



US 150

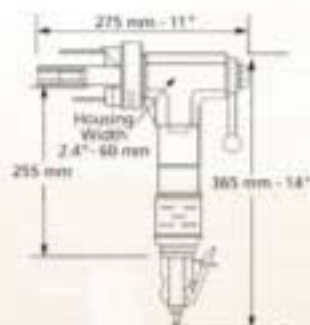
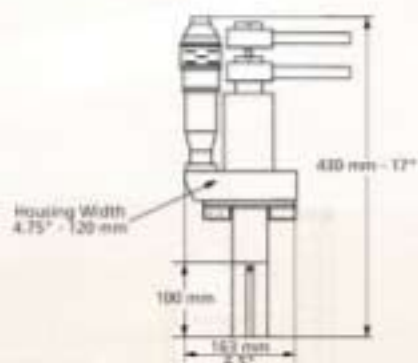
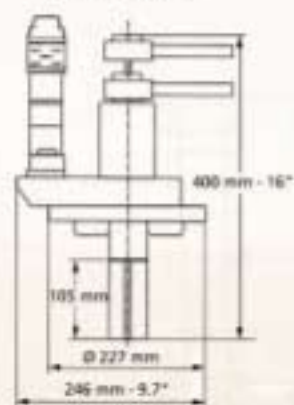
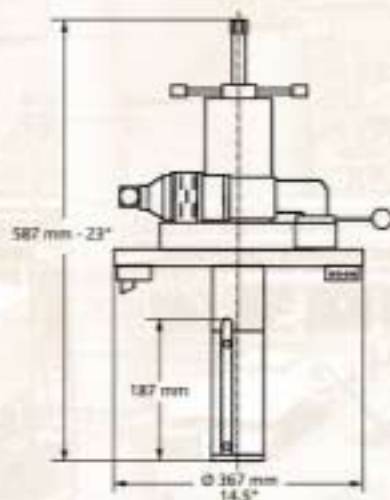
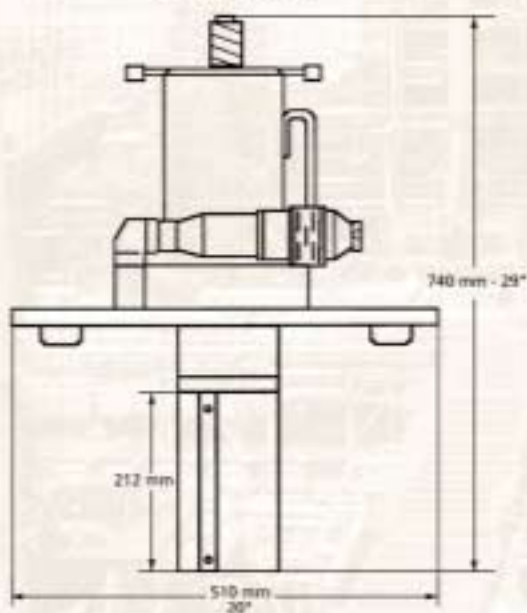


US 40



Optional automatic clamping CA



US 25 (3,6 kg)**US 30 (10 kg)****US 40 (15 kg)****US 80 (35 kg)****US 150 (90 kg)****A1**
facing
tool bit**A2**
30° MIG
beveling
tool bit**A3**
37-1/2° TIG
beveling
tool bit**A4**
counter-
boring
tool bit**C**
1\"/>
compound
beveling tool
bitcoated
tool
bitsInsert and
Insert tool holders*any special tool bits required, please contact us for prices and delivery time.*